

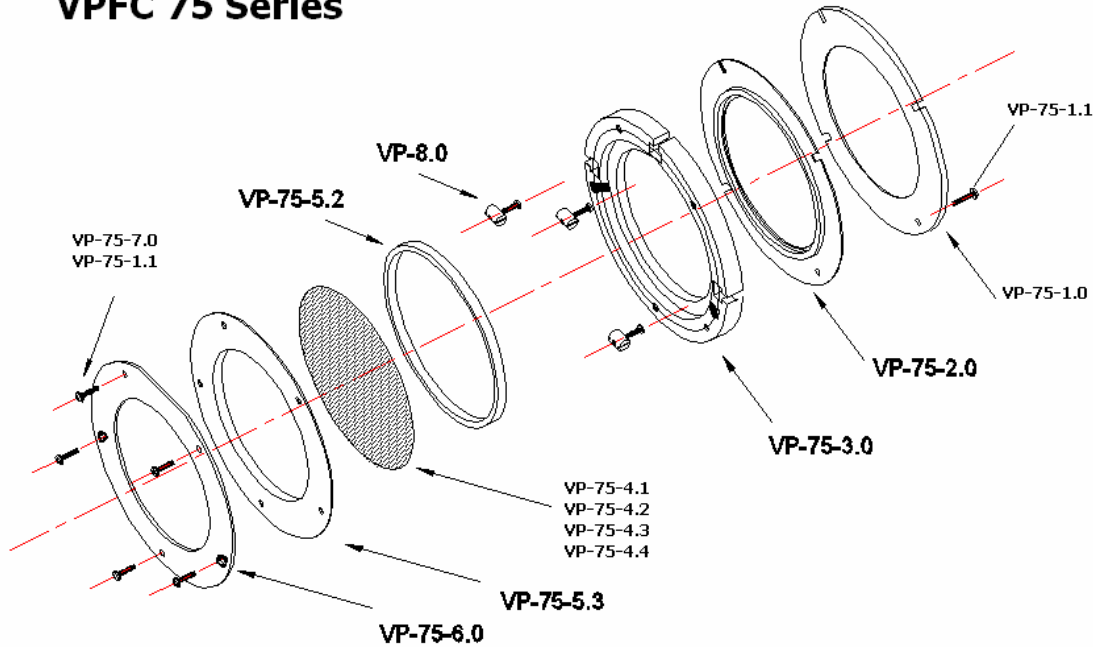
www.iriss.com

Tel: +1 941-373-528

VP-75 SERIES IR VIEWING PORT PARTS LIST

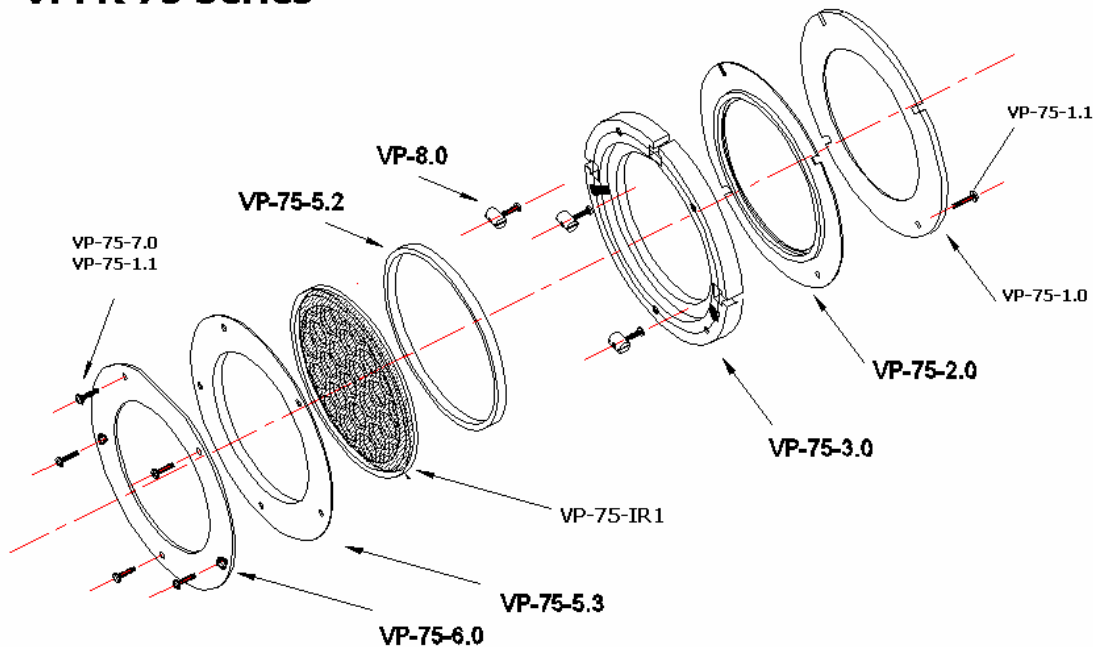
(October 2006)

VPFC 75 Series



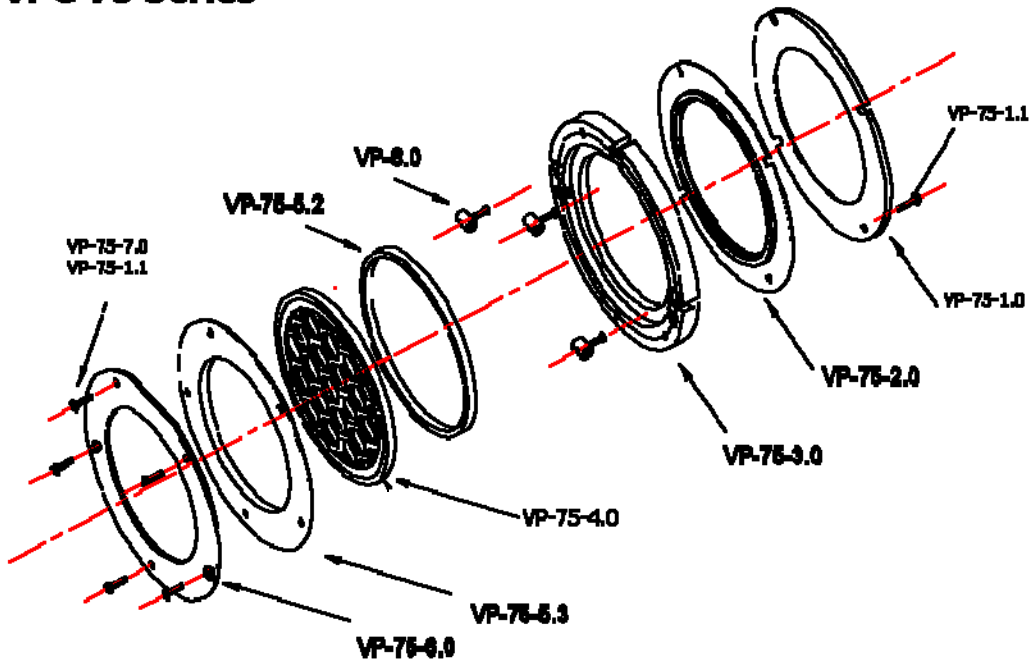
PART NUMBER	DESCRIPTION
VP-75 -1.0	FRONT COVER
VP-75 -1.1	FRONT COVER SCREW
VP-75 -2.0	COVER GASKET
VP-75 -3.0	MAIN BODY
VP-75 -4.1	CaF2 LENS
VP-75 -4.2	ZnSe LENS
VP-75 -4.3	Ge LENS
VP-75 -4.4	Al2O3 LENS
VP-75 -5.2	LENS GASKET
VP-75 -5.3	MAIN BODY GASKET
VP-75 -6.0	RETAINING RING
VP-75 -7.0	SCREWS M4X10
VP-75 -7.1	SCREWS M4X18
VP-75 -8.0	FIXINGS M4X18

VPFR 75 Series



PART NUMBER	DESCRIPTION
VP-75 -1.0	FRONT COVER
VP-75 -1.1	FRONT COVER SCREW
VP-75 -2.0	COVER GASKET
VP-75 -3.0	MAIN BODY
VP-75 -IR2	IR2 LENS ASSEMBLY
VP-75 -5.2	LENS GASKET
VP-75 -5.3	MAIN BODY GASKET
VP-75 -6.0	RETAINING RING
VP-75 -7.0	SCREWS M4X10
VP-75 -7.1	SCREWS M4X18
VP-75 -8.0	FIXINGS M4X18

VPG 75 Series



PART NUMBER	DESCRIPTION
VP-75 -1.0	FRONT COVER
VP-75 -1.1	FRONT COVER SCREW
VP-75 -2.0	COVER GASKET
VP-75 -3.0	MAIN BODY
VP-75 -4.0	IP2X GRILL ASSEMBLY
VP-75 -5.2	LENS GASKET
VP-75 -5.3	MAIN BODY GASKET
VP-75 -6.0	RETAINING RING
VP-75 -7.0	SCREWS M4X10
VP-75 -7.1	SCREWS M4X18
VP-75 -8.0	FIXINGS M4X18