

**IRISS**®    
Infra Red Inspection Support Solutions



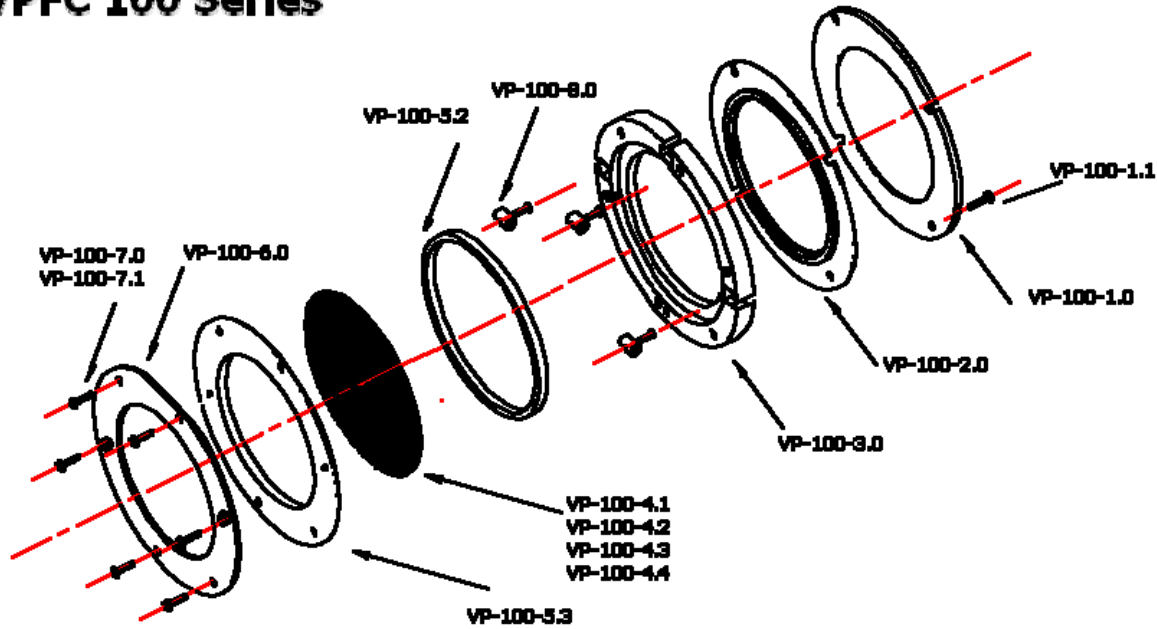
[www.iriss.com](http://www.iriss.com)

Tel: +1 941-373-528

## **VP-100 SERIES IR VIEWING PORT PARTS LIST**

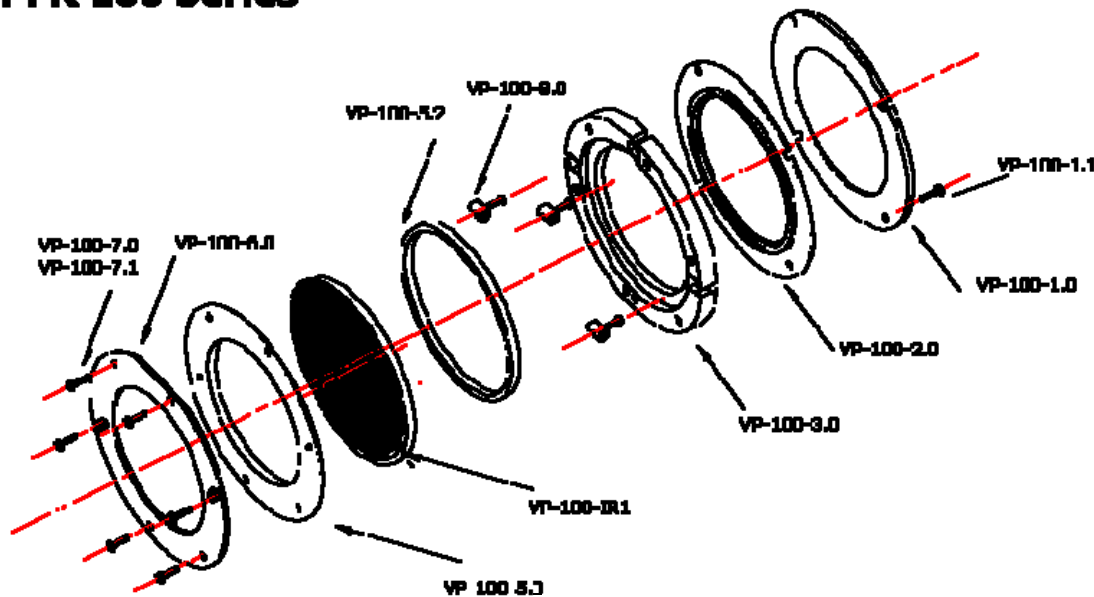
(October 2006)

## VPFC 100 Series



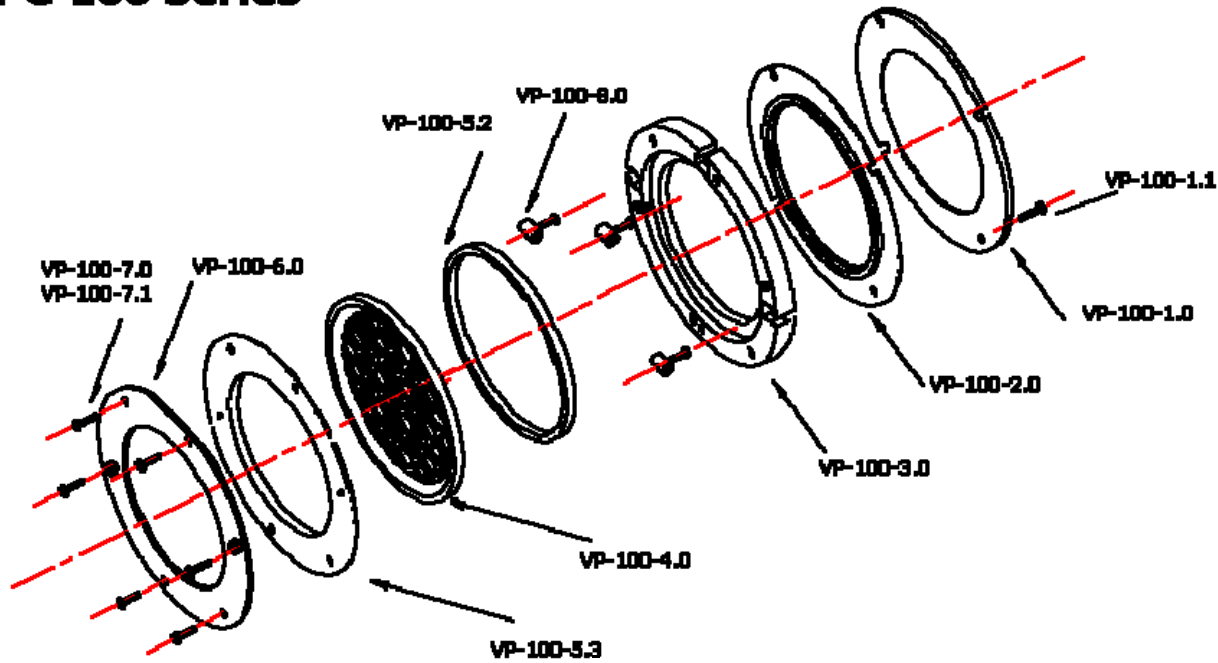
PART NUMBER	DESCRIPTION
VP-100 -1.0	FRONT COVER
VP-100 -1.1	FRONT COVER SCREW
VP-100 -2.0	COVER GASKET
VP-100 -3.0	MAIN BODY
VP-100 -4.1	CaF2 LENS
VP-100 -4.2	ZnSe LENS
VP-100 -4.3	Ge LENS
VP-100 -4.4	Al2O3 LENS
VP-100 -5.2	LENS GASKET
VP-100 -5.3	MAIN BODY GASKET
VP-100 -6.0	RETAINING RING
VP-100 -7.0	SCREWS M4X10
VP-100 -7.1	SCREWS M4X18
VP-100 -8.0	FIXINGS M4X18

## VPFR 100 Series



PART NUMBER	DESCRIPTION
VP-100 -1.0	FRONT COVER
VP-100 -1.1	FRONT COVER SCREW
VP-100 -2.0	COVER GASKET
VP-100 -3.0	MAIN BODY
VP-100 -IR1	IR2 LENS ASSEMBLY
VP-100 -5.2	LENS GASKET
VP-100 -5.3	MAIN BODY GASKET
VP-100 -6.0	RETAINING RING
VP-100 -7.0	SCREWS M4X10
VP-100 -7.1	SCREWS M4X18
VP-100 -8.0	FIXINGS M4X18

# VPG 100 Series



PART NUMBER	DESCRIPTION
VP-100 -1.0	FRONT COVER
VP-100 -1.1	FRONT COVER SCREW
VP-100 -2.0	COVER GASKET
VP-100 -3.0	MAIN BODY
VP-100 -4.0	IP2X GRILL ASSEMBLY
VP-100 -5.2	LENS GASKET
VP-100 -5.3	MAIN BODY GASKET
VP-100 -6.0	RETAINING RING
VP-100 -7.0	SCREWS M4X10
VP-100 -7.1	SCREWS M4X18
VP-100 -8.0	FIXINGS M4X18